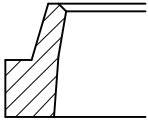
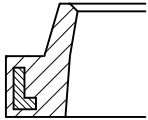
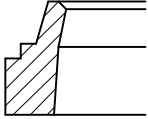
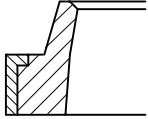


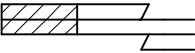
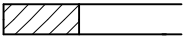
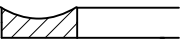
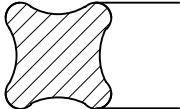


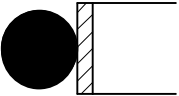
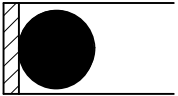
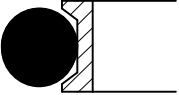

RASCHIATORI

DP6 	DP7 DRS 
DP8 	ASD 

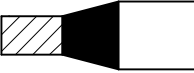

O-RING & ANTIESTRUSIONI

OR Pollici 	OR Decimali 
BKD 	BRSD 
PBKD 	Quadring 

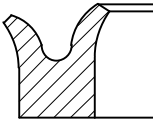
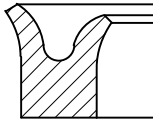
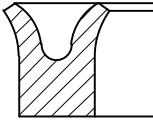
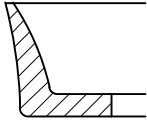
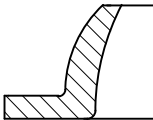
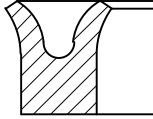
LUBRORING - RINGFLON

LRC-D 	LRP-D 
RC-D 	RP-D 

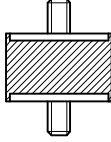
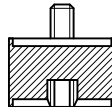
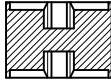
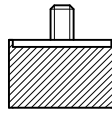
BONDED SEAL

CETOP 	Autocentranti 
----------------------------------------------------------------------------------------------	------------------------------------------------------------------------------------------------------

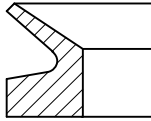
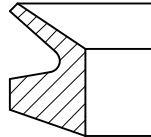
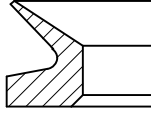
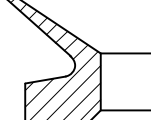
LABBRO

DE-D DEM-D 	DI-D DIM-D 
UM-D 	C-D 
H-D 	U-D 

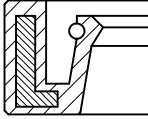
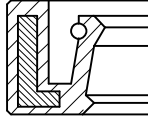
ANTIVIBRANTI

A 	B 
C 	D 

V-RING - FRONTSEAL

VAD 	VSD 
VLD 	VED 

ANELLI TENUTA

A 	AS AS-P 
-------------------------------------------------------------------------------------------	-----------------------------------------------------------------------------------------------------